

# 165 VR3

6" Polyglass woofer

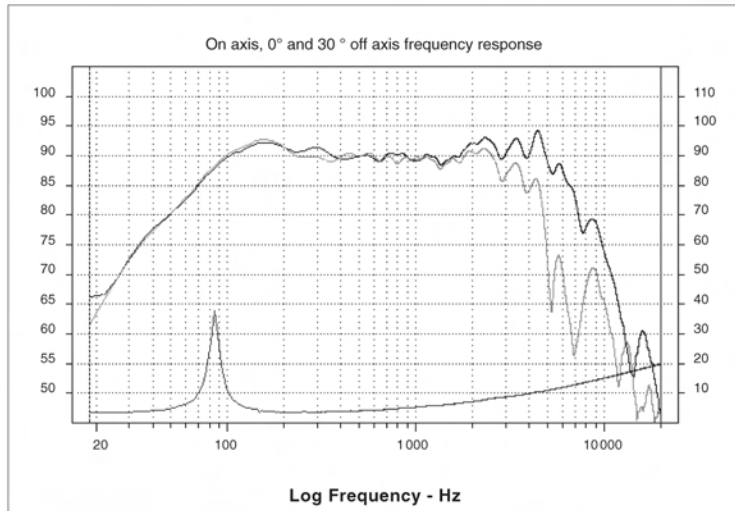
- Zamak chassis
- Polyglass cone, Butyl surround
- 25mm Kapton voice-coil former



## Specifications

Nominal power	75 W	
Maximum power	150 W	
Sensitivity	93 dB	
Cone	Polyglass	
Surround	Butyl	
Nom. impedance	4 ohms	
DC resistance	3.1 ohms	
VC diameter	25 mm	
VC height	13 mm	
Former	Kapton	
Layers	2	
Wire	Copper	
Inductance	0.22 mH	
Xmax	3.5 mm	
Magnet d x h	85 x 15 mm	3 <sup>1/3</sup> x 9/16 in
Magnet weight	750 g	1.65 lb
Flux density	0.9 T	
Gap height	5 mm	
Net weight	950 g	2.1 lb

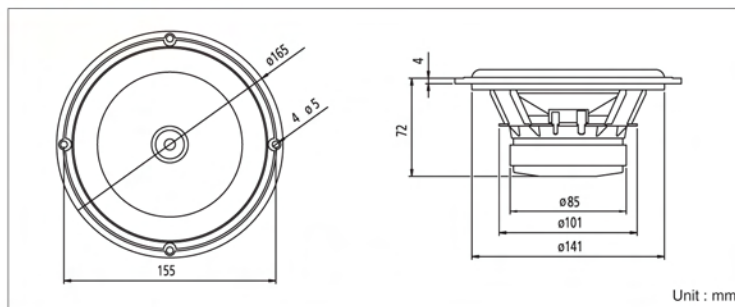
## Frequency response / Impedance



## Parameters

Fs	83.24 Hz	
Vas	6.85 l	0.242 Ft <sup>3</sup>
Qts	0.830	
Qes	0.900	
Qms	10.720	
Re	3.1 ohms	
Sd	132.73 cm <sup>2</sup>	20.57 in <sup>2</sup>
Cas	4.88E-08 m <sup>5</sup> /N	
Mas	74.92 kg/m <sup>4</sup>	
Ras	3655.43 ohms.ac	
Cms	2.77E-04 m/N	
Mms	13.20 g	0.03 lb
Rms	0.644 Kg/s	
Ces	555.10 mF	
Les	6.59 mH	
Res	36.92 ohms	
Bl	4.88 N/A	
SPL	88.27 dB/W/m	

## Mechanical Drawing



## Suggested application

Load	V (l)	Fb (Hz)	F-3 (Hz)	Ql
Sealed	30	-	75	7

# 100 V Slim

## 4" Polyglass Midrange



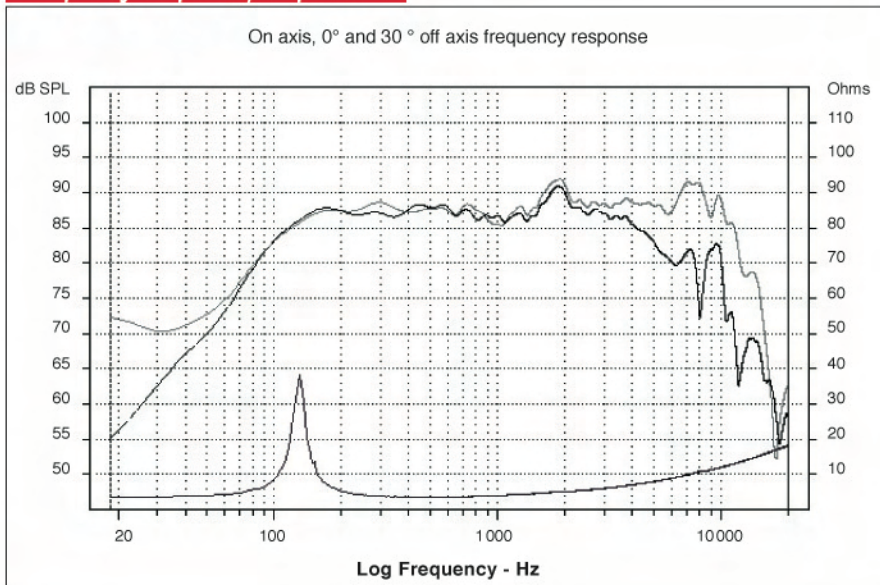
- Zamak chassis
- Polyglass cone, Butyl surround
- Neodymium magnet



### Specifications

Nominal power	50 W	
Maximum power	100 W	
Sensitivity	91 dB	
Cone	Polyglass	
Surround	Butyl	
Nom. impedance	4 ohms	
DC resistance	3.2 ohms	
VC diameter	25 mm	
VC height	8 mm	
Former	Kapton	
Layers	2	
Wire	Copper	
Inductance	0.2 mH	
Xmax	2 mm	
Magnet d x h	-	
Magnet weight	-	
Flux density	1.1 T	
Gap height	3 mm	
Net weight	350 g	0.77 lb

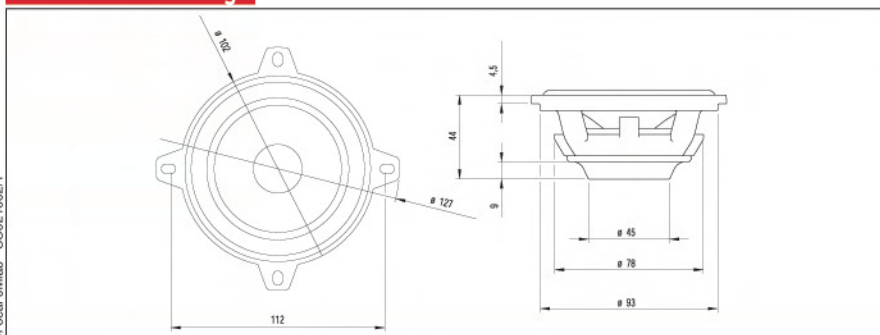
### Frequency Response / Impedance



### Parameters

Fs	117.66 Hz	
Vas	1.43 l	0.05 Ft <sup>3</sup>
Qts	0.811	
Qes	0.880	
Qms	10.410	
Re	3.55 ohms	
Sd	52.81 cm <sup>2</sup>	8.18 in <sup>2</sup>
Cas	1.02E-08 m <sup>5</sup> /N	
Mas	179.28 kg/m <sup>4</sup>	
Ras	12731.89 ohms.ac	
Cms	3.66E-04 m/N	
Mms	5.00 g	0.01 lb
Rms	0.355 Kg/s	
Ces	335.31 mF	
Les	5.46 mH	
Res	41.99 ohms	
Bl	3.86 N/A	
SPL	86.08 dB/W/m	

### Mechanical Drawing



### Suggested application

Load	V (l)	Fb (Hz)	F-3 (Hz)	Ql
Vented				
Sealed				